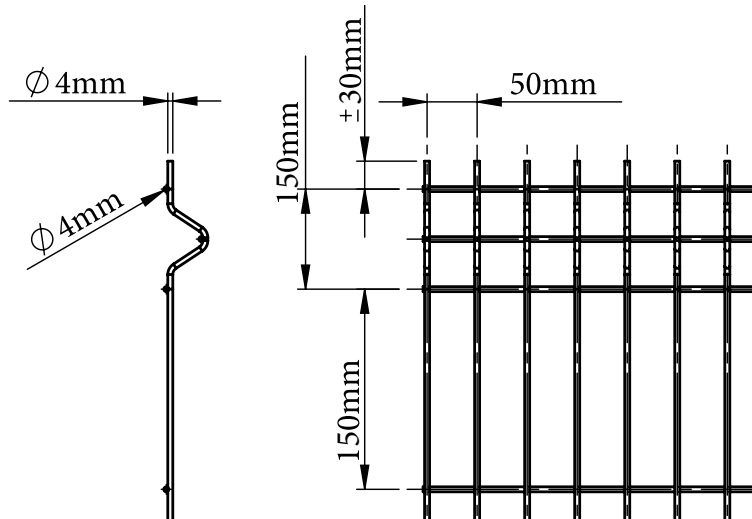


PANELS

V-FENCE 4/4

MESH SIZE 50 X 150 MM

DIMENSIONS



SURFACE TREATMENTS

- Self-colour
- Galvanization (zinc) according to EN 50961 + electroplated coatings of zinc according to DIN EN ISO 2081 polyester powder coating according to EN 13438
- Galfan (zinc/alu) wire according to EN 10244-2 + polyester powder coating according to EN 13438
- Hot-dip galvanised according to EN ISO 1461
- Hot-dip galvanised according to EN ISO 1461 with polyester powder coating according to EN 13438
- Standard colours: RAL 6005, 6009, 7016 & 9005

SAFETY AND DURABILITY

STANDARDS WITH WHICH THE PANELS COMPLY

- EN 1994-1-1:2002 (EN 1991-1-1:2002/AC:2009)
- EN 1991-1-4:2005 (EN 1991-1-4:2005/AC:2010, EN 1991-1-4:2005/A1:2010)
- EN 1991-1-7:2006 (EN 1991-1-7:2006/AC:2010, EN 1991-1-7:2006/A1:2010)
- EN 1993-1-1:2005 (EN 1993-1-1:2005/AC:2009, EN 1993-1-1:2005/A1:2014)
- EN ISO 9227:2012 (EN ISO 9227:2012/AC:2022)

Height (mm)	Width (mm)	Horizontal Wire (mm)	Vertical Wire (mm)	V-section (number)	Mesh Size (mm)	Mesh Raws (number)	Weight (kg) Pre-galve + coated
1.000	2.500	4	4	3	50x150	4	10,2
1.200	2.500	4	4	3	50x150	5	12
1.500	2.500	4	4	3	50x150	7	14
2.000	2.500	4	4	4	50x150	9	18

APPLICATIONS

- Schools
- Housing
- Public places
- Light industry

SECURITY LEVEL 5



TECHNICAL SPECIFICATIONS

- Horizontal wires: 1x $\phi 4\text{mm}$
- Vertical wires: 1x $\phi 4\text{mm}$
- Width: 2500mm
- Height: See in table
- Mesh size:
Raw: 50x150mm+
(in V-section: 50x150mm)
- Welding points:
Conform EN 10223-7

